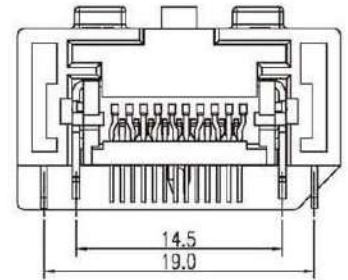
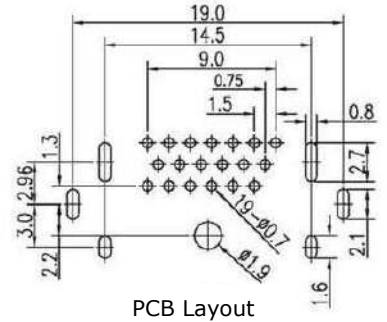
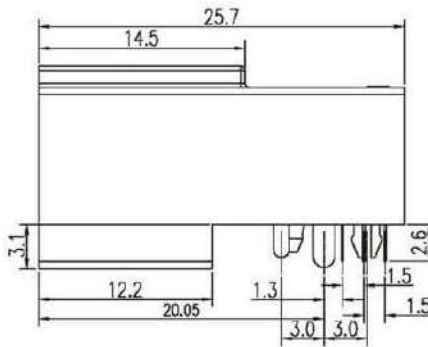
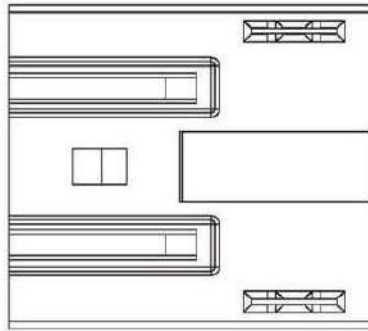
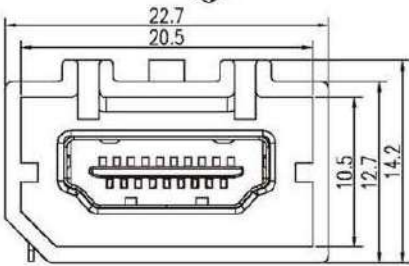
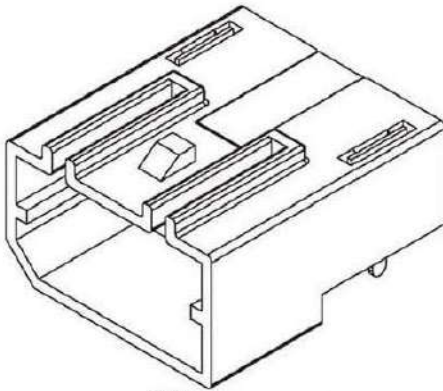


Automotive HDMI 19P Connector

Horizontal R/A Type: KMHRH02S190A



- *HDMI1.4 Standard Compliance
- *Vehicle Grade Block Design



Vertical Type: KMHVH02S190A

